

ASSEMBLY INSTRUCTIONS




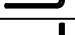
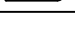
MAZON MZ8555 UPHOLSTERED BED FRAME

THANK YOU FOR PURCHASING THIS QUALITY PRODUCT. READ THIS INSTRUCTION CAREFULLY. SEE PART LIST AND HARDWARE LIST FOR GUIDANCE, BE SURE ALL PARTS ARE COMPLETE BEFORE YOU ASSEMBLE.

CAUTIONS: 1. DO NOT FULLY TIGHTEN THE BOLTS UNTIL ALL BOLTS IS READY ASSEMBLED.
2. DO NOT OVER TIGHTEN THE BOLTS TO AVOID CAUSING DAMAGES TO THE THREAD.
3. KEEP ALL PART AND HARDWARE OUT TO REACH BY CHILDREN.

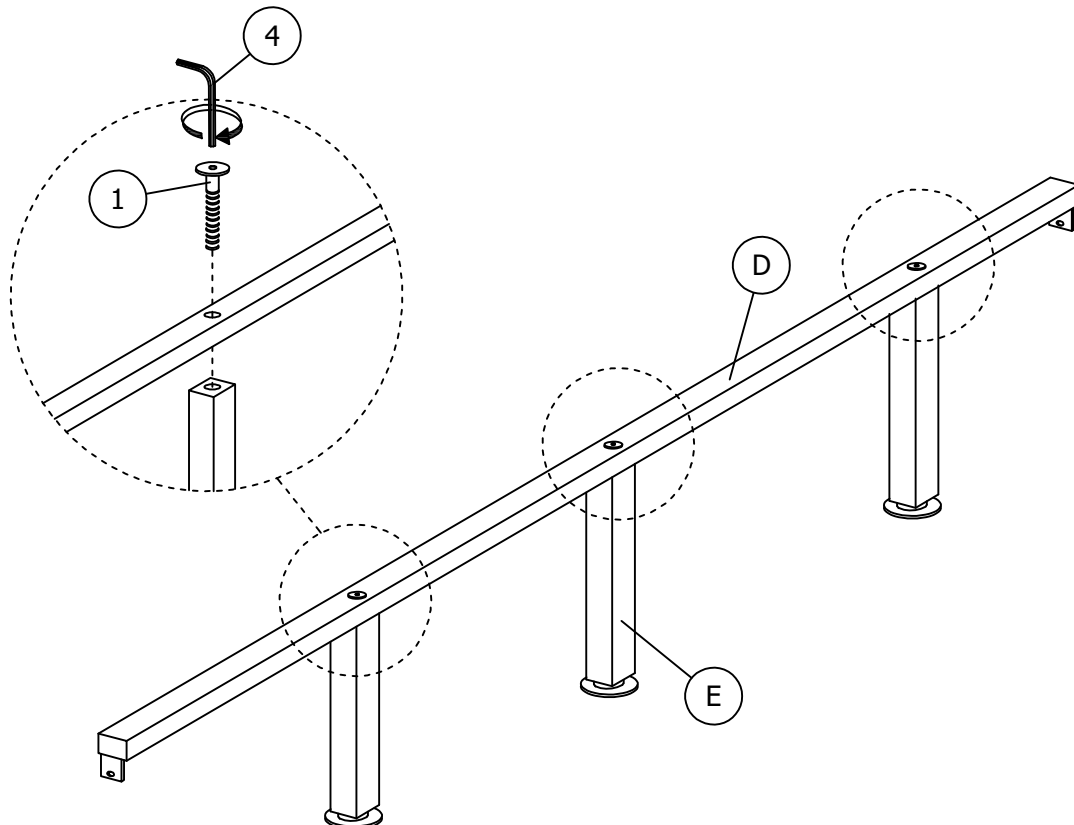
TOOLS NEEDED : SCREWDRIVER (NOT PROVIDED)

PART LIST		
ITEM	DESCRIPTION	QTY
A	HEADBOARD	1 PC
B	FOOTBOARD	1 PC
C	SIDE RAIL	2 PCS
D	CENTER SUPPORT	1 PC
E	CENTER SUPPORT LEG	3 PCS
F	SLATS	1 SET
G	BED LEG	4 PCS

HARDWARE LIST		
ITEM	DESCRIPTION	QTY
1	JCBC BOLT M6 x 60mm 	3 PCS
2	CSK SCREW M4 x 38mm 	12 PCS
3	CSK SCREW M4 x 20mm 	2 PCS
4	ALLEN KEY M4 	1 PC
5	ALLEN KEY M5 	1 PC

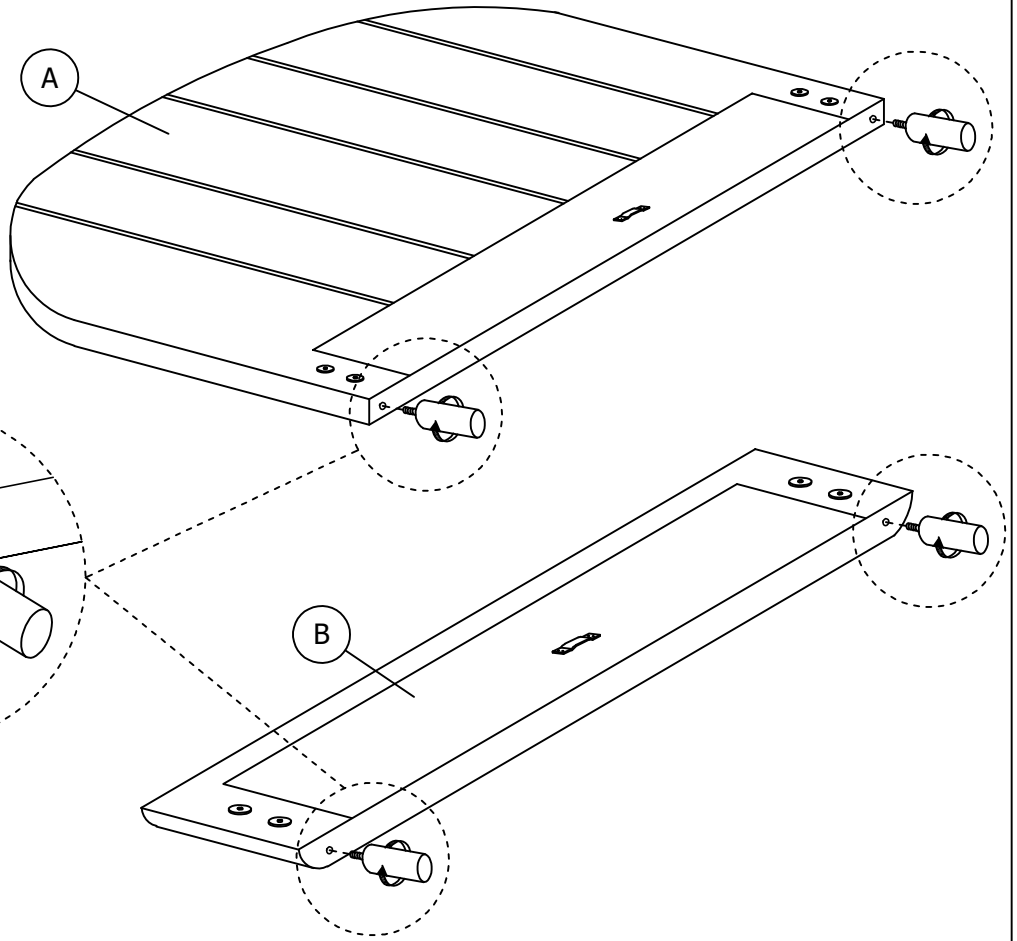
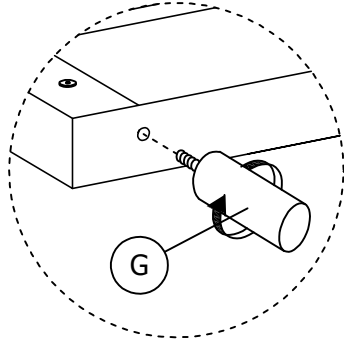
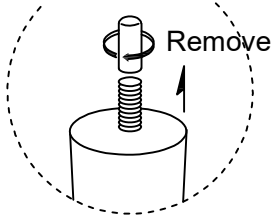


STEP 1



STEP 2

Reminder:
Before assembly remove the plastic cap from bed leg.

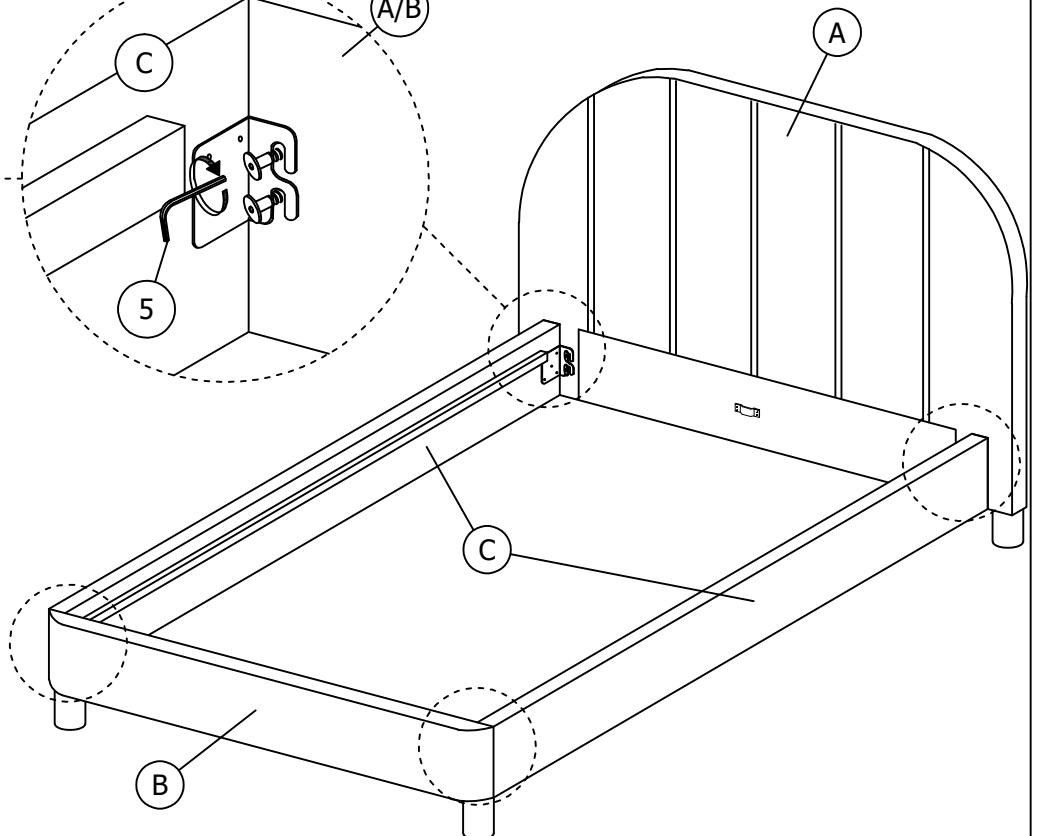
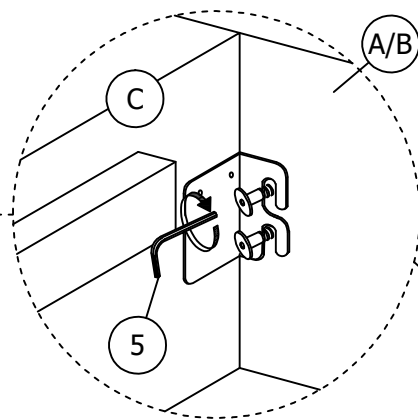
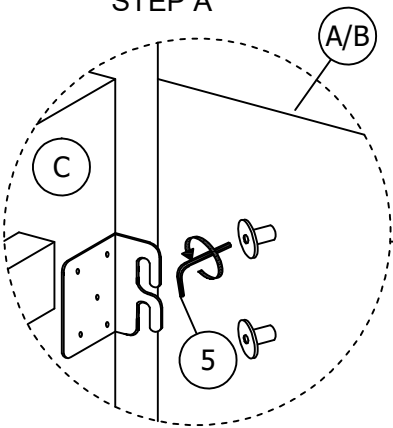


STEP 3

STEP A : Use the ALLEN KEY M5 (5) to turn loose all the JCBB BOLT prefix at HEADBOARD (A) & FOOTBOARD (B) and don't pull out. Hang the SIDE RAILS (C) to HEADBOARD (A) & FOOTBOARD (B).
STEP B : Tighten them after assembly the SIDE RAILS (C).

STEP A

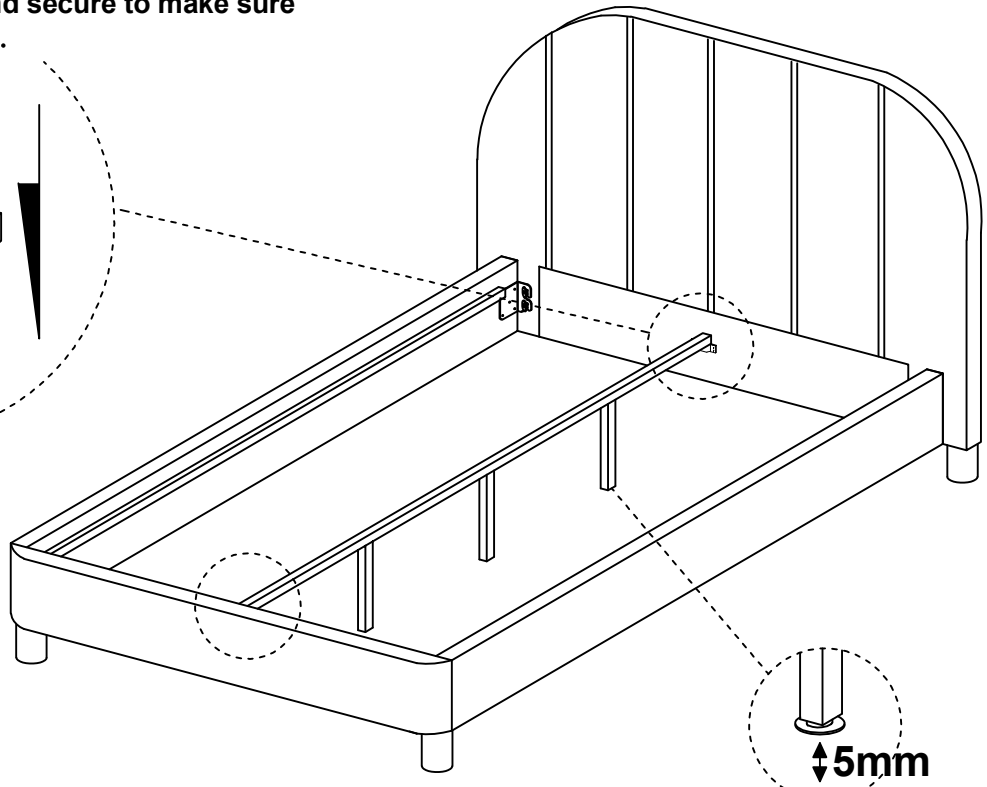
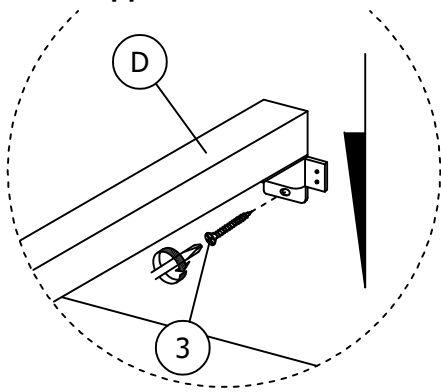
STEP B



STEP 4

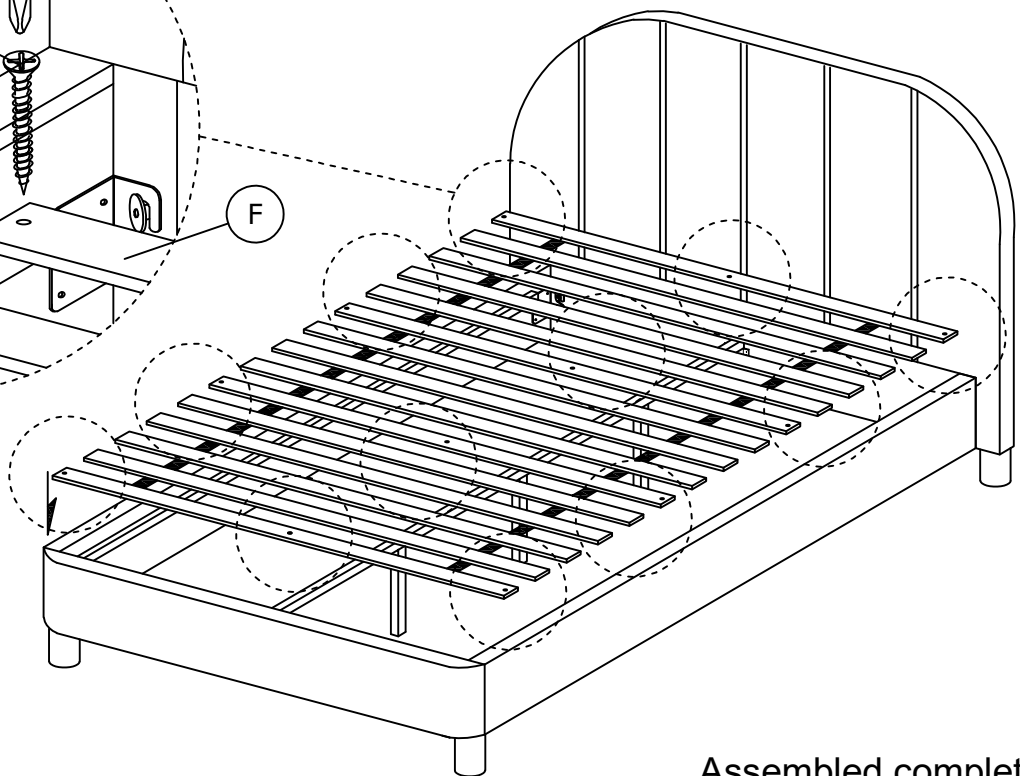
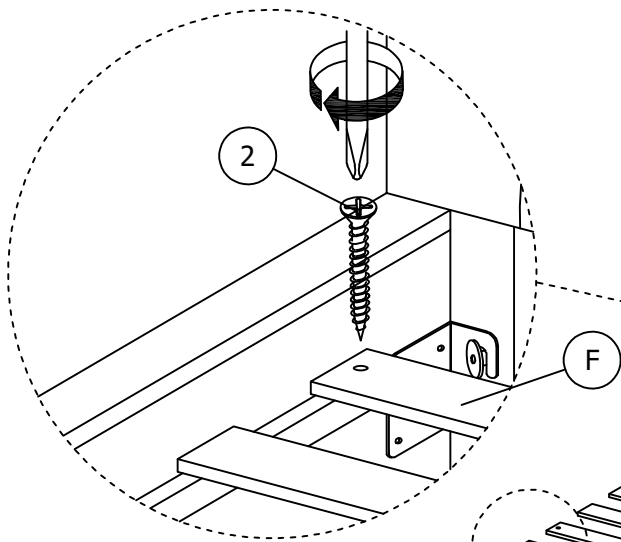
IMPORTANT:

Screws must be tightened and secured to make sure Center Support is level.



ATTENTION: Keep a distance of 5mm from adjuster center support leg to floor to avoid breakage of the leg!

STEP 5



Assembled completed

Reminder: Please ensure all bolts and screws are tightened and secure before you use it.

* When moving the bed position, the center support legs must be adjusted to be straight to avoid any broken problem.